

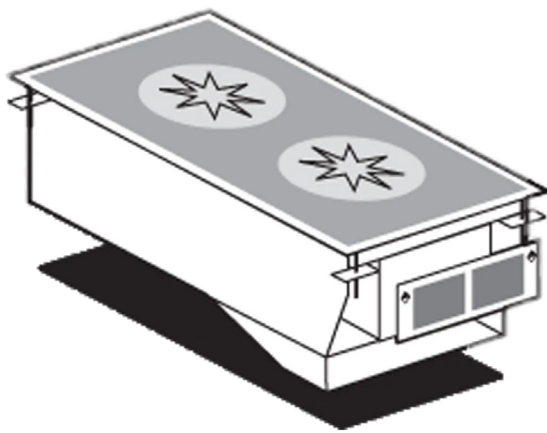
Technical data sheet

Product features



Induction stove digital 2 zones

Model	SAP Code	00013592
PCID-84ETD	A group of articles - web	Stoves



- Device type: Electric unit
- Power consumption of the zone 1 [kW]: 5
- Power consumption of the zone 2 [kW]: 5
- Protection of controls: IPX5
- Material: AISI 304 top plate and cladding

SAP Code	00013592	Loading	400 V / 3N - 50 Hz
Net Width [mm]	400	Number of zones	2
Net Depth [mm]	800	Power consumption of the zone 1 [kW]	5
Net Height [mm]	310	Power consumption of the zone 2 [kW]	5
Net Weight [kg]	20.00	Ceramic glass dimensions [mm]	350 x 770
Power electric [kW]	10.000		

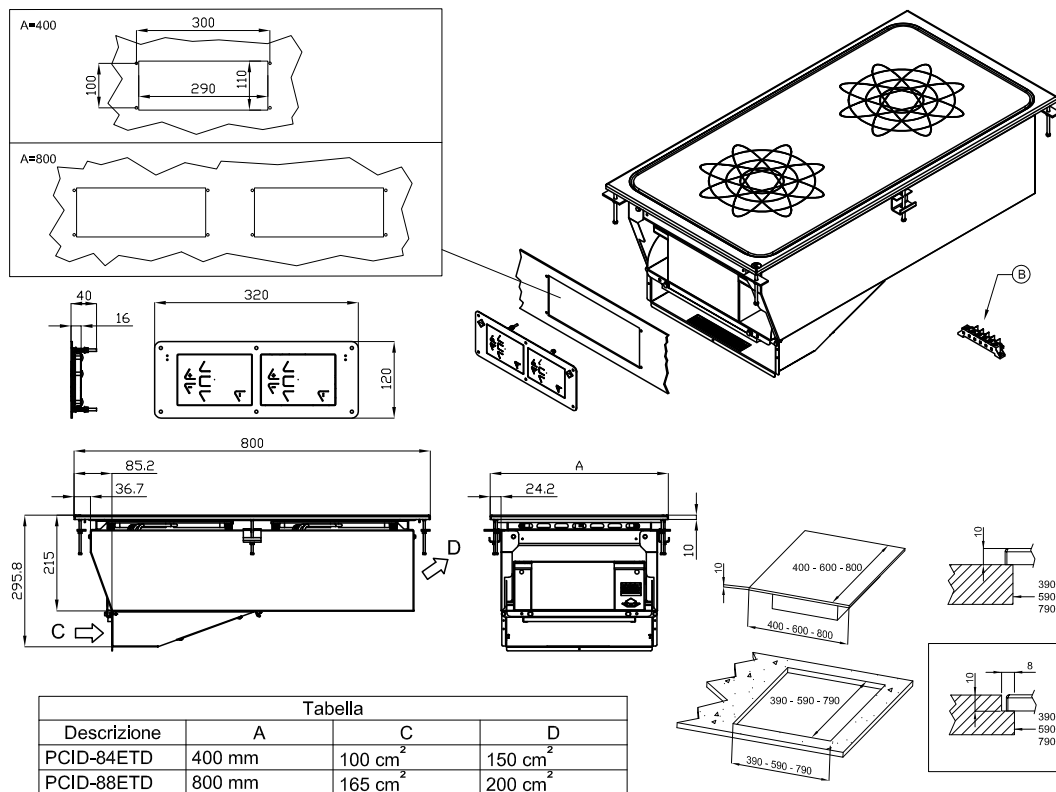
Technical data sheet

Technical drawing



Induction stove digital 2 zones

Model	SAP Code	00013592
PCID-84ETD	A group of articles - web	Stoves



Descrizione	A	C	D
PCID-84ETD	400 mm	100 cm ²	150 cm ²
PCID-88ETD	800 mm	165 cm ²	200 cm ²

A	Data plate		B	Electrical connection	
---	------------	--	---	-----------------------	--

Technical data sheet

Technical parameters



Induction stove digital 2 zones

Model	SAP Code	00013592
PCID-84ETD	A group of articles - web	Stoves

1. SAP Code:

00013592

2. Net Width [mm]:

400

3. Net Depth [mm]:

800

4. Net Height [mm]:

310

5. Net Weight [kg]:

20.00

6. Gross Width [mm]:

430

7. Gross depth [mm]:

970

8. Gross Height [mm]:

540

9. Gross Weight [kg]:

25.00

10. Device type:

Electric unit

11. Construction type of device:

Drop-in

12. Power electric [kW]:

10.000

13. Loading:

400 V / 3N - 50 Hz

14. Protection of controls:

IPX5

15. Material:

AISI 304 top plate and cladding

16. Worktop type:

Molded - comfortable cleaning maintenance

17. Worktop Thickness [mm]:

2.00

18. Number of zones:

2

19. Power consumption of the zone 1 [kW]:

5

20. Power consumption of the zone 2 [kW]:

5

21. Power control type:

digital

22. Number of power control stages:

6

23. Service accessibility:

From the front by removing the front panel and waste fluid containers

24. Number of burners/hot plates:

2

25. Type of electric cooking zones:

Induction

26. Ceramic glass dimensions [mm]:

350 x 770

27. Cross-section of conductors CU [mm²]:

2,5

28. Glass-ceramic top thickness [mm]:

6

Technical data sheet

Technical parameters



Induction stove digital 2 zones

Model	SAP Code	00013592
PCID-84ETD	A group of articles - web	Stoves

29. Load capacity [kg]:

60